



Sure Seal's Beltech BTSV Series Sample Valve System

Environmentally safe, closed-loop systems.

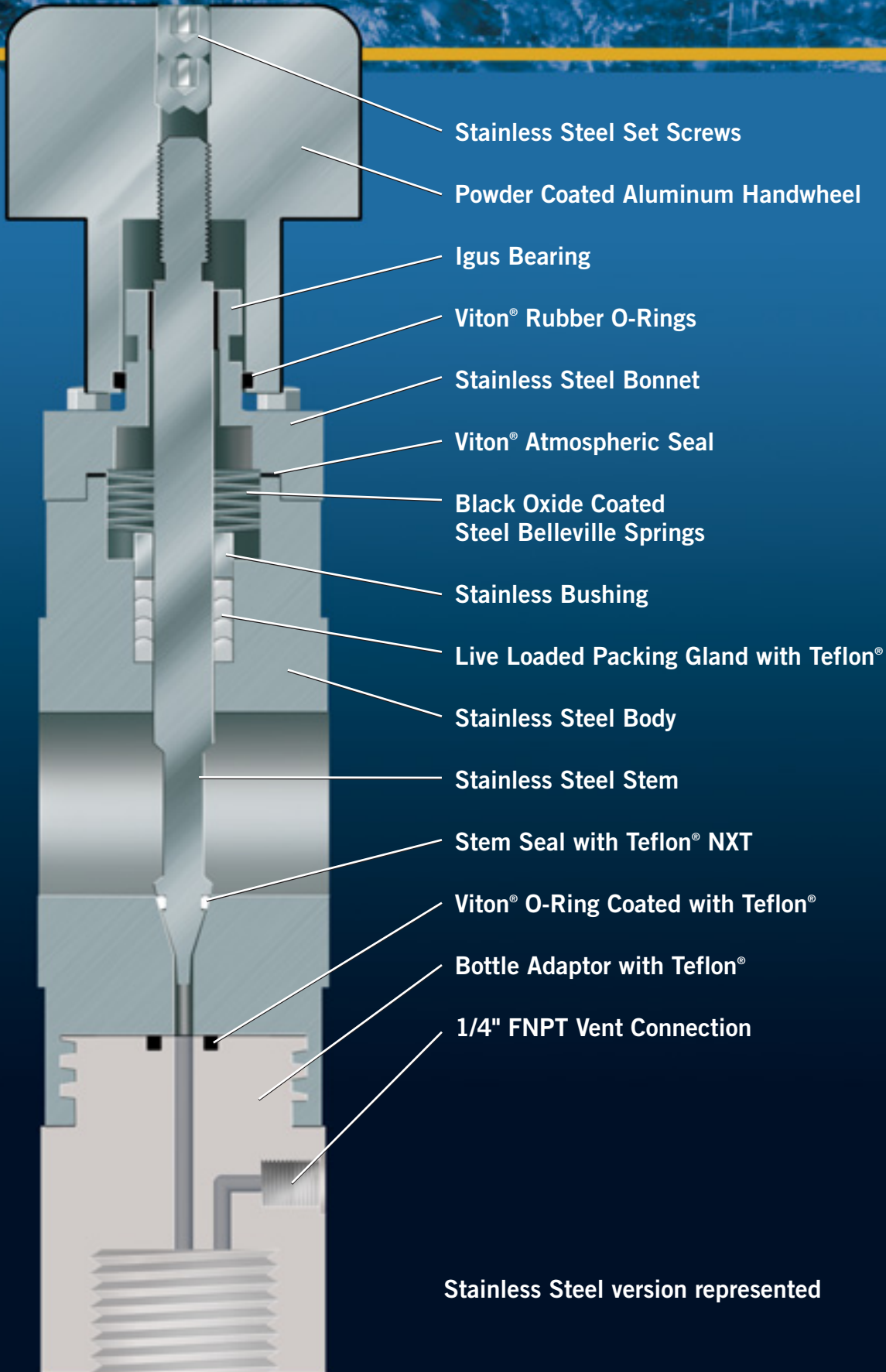


Specifically engineered for the environmentally safe collection of representative samples of lethal, toxic and corrosive process media direct from process piping.

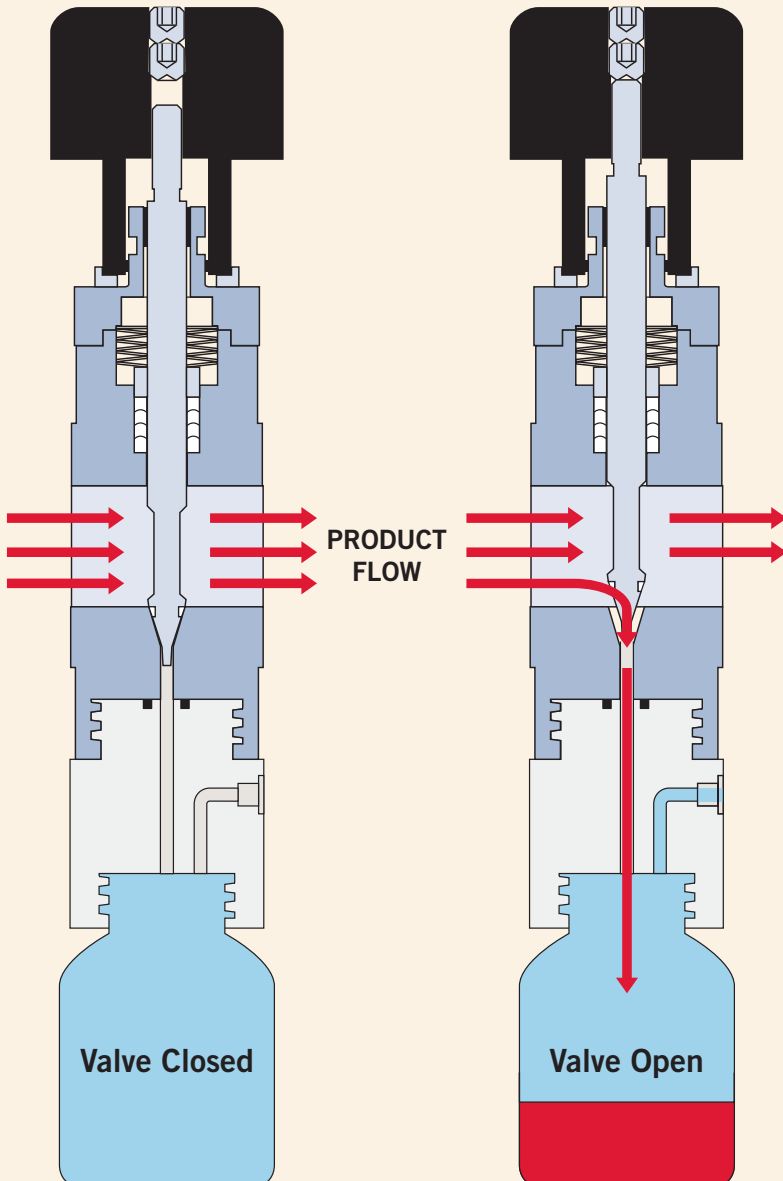
SURE SEAL INCORPORATED IS PROUD TO BE



Sure Seal's Beltech Series BTSV



Features of Sure Seal's Beltech BTSV-SB Series Sample Valve System



The **BTSV-SB series** in-line closed-loop sample valve system is engineered to effectively collect representative sample of hazardous process media. The dead space free design can be installed in both horizontal and vertical piping thus allowing the media to constantly flow through the valve and around the conical spindle. Sample bottles either open top or sealed with septums can be directly attached beneath the valve to facilitate the sampling process.

- Direct representative samples from the process piping without requiring flushing
- Size range 1" to 6" (DN 25 to DN 150)
- 100% bubble tight shutoff and zero stem leakage tested per the API 598 specifications
- Economical field replaceable components
- Available with manual operators, lockable spring to close hand-levers and pneumatic actuators
- Temperature rating:
-4° F to 400° F (Soft Seated)
- Valves available to mount in ANSI 150# and 300# flanges.
- Bottle adaptors can be machined to fit customer supplied bottles or supplied with bottles.

Other design and class ratings are available upon request.

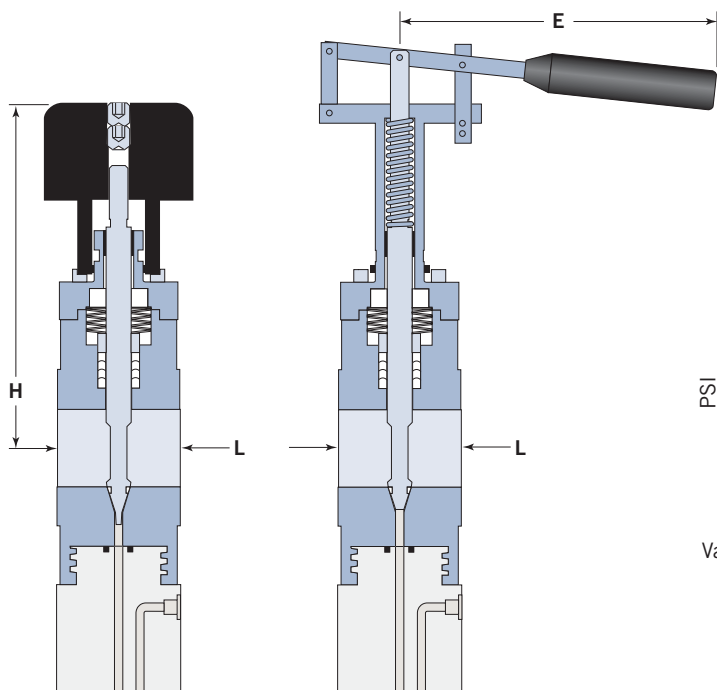
- Available mounted inside safety cabinets.
- Available in all alloys and fully lined with Teflon® PFA.
- Available body end connections wafer (specials on request)

Testing: Each individual valve is tested for zero stem leakage and bubble tight shutoff in accordance with the API 598 testing specifications. All PFA (Teflon®) lined valves are spark tested to 20,000 volts to assure the integrity of the lining. Factory supplied mill test certificates are available upon request. Additional testing is available upon request.

Principle of Operation: The process media continually flows through the dead space free sample valve and around the conical spindle. By rotating the manual hand-wheel in the counterclockwise direction, the conical spindle is lifted from the conical seat allowing a representative sample to flow into the sample bottle. Once a sufficient sample has been collected, the inline valve is closed by rotating the manual hand-wheel in the clockwise direction. The sample bottle is then removed and taken to the lab.

Technical Information

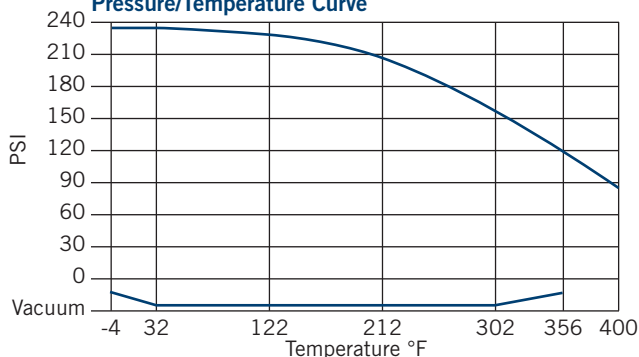
BTSV-SB Series Sample Valve System



Stainless Steel Valves

Operating Data	Valve
Pressure	240 PSIG
Temperature	-4° F to 400° F
Vacuum	Full

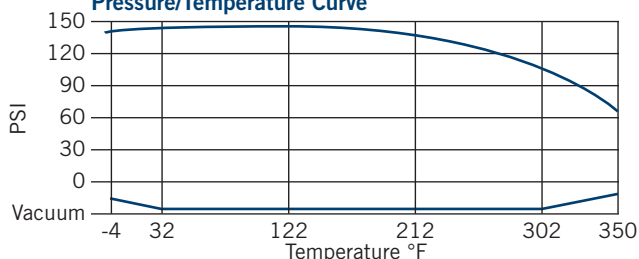
Pressure/Temperature Curve



PFA Lined Valves

Operating Data	Valve
Pressure	150 PSIG
Temperature	-4° F to 350° F
Vacuum	Full

Pressure/Temperature Curve



Dimensional Data

Size	150# Wafer		Spring to Close Hand Lever
	L	H	E
1"	2.36	6.30	9.50
1.5"	2.36	6.50	9.50
2"	2.36	6.70	9.50
3"	2.36	7.00	9.50
4"	2.36	7.20	10.50
6"	2.36	7.50	10.50

Sure Seal's Beltech BTSV Series Sample Valve Ordering Information

SERIES SIZE BODY STYLE BODY MATERIAL STEM SEAL OPERATOR ACCESSORIES
SV/SB - 6 - W1 - M - 10 - H - BA

Series: SV/SB - Sample Bottle
 SV-SBS - Sample Bottle w/Septum

Size: 1" - 6"

Body Style: W1 - 150# Wafer
 W3 - 300# Wafer

Body Material: S - 316L/CF8M
 M - Monel
 C - Hastelloy C 276
 A - Alloy 20
 P - PFA Lined/316 SS
 K - PVDF

Stem Seal: 10 - PTFE Chevron® V Packing
 15 - Graphite Packing
 20 - Bellow Stem Seal

Operator: H - Manual Handwheel
 S - Safety Spring to Close Handlever
 P - Fail Closed Pneumatic Actuator

Accessories: SC - Safety Cabinet
 BA - Horizontal Bottle Adapter
 VBA - Vertical Bottle Adapter
 HJ - Heating Jacket
 ABS - Spring Loaded Adjustable Bottle Support
 NA - Needle Adapter
 VNA - Vertical Needle Adapter
 AP - Adapter Plug

Note: Special options and materials available upon request.



Making a big difference to your bottom line.

Rt. 2, Box 2242 • Mineral Point, Missouri 63660
(573) 438-5000 • Fx (573) 438-4853

www.suresealinc.com • ssi@suressealinc.com

Purchasers are expected to make their own tests to determine the suitability of these products for their particular purposes. The data represented in this brochure are for general information only. Manufacturer is not responsible for acceptability of these products in regard to individual system requirements.

For specific performance data and correct materials selection, please contact your Sure Seal Dealer.
 ©2003 Sure Seal, Incorporated • Printed in the USA

Viton® and Teflon® are registered trademarks of E.I. du Pont de Nemours and Company and is used under license by Sure Seal, Inc. Only DuPont makes TEFLON®