



# Dimensional drawings

# ST Range

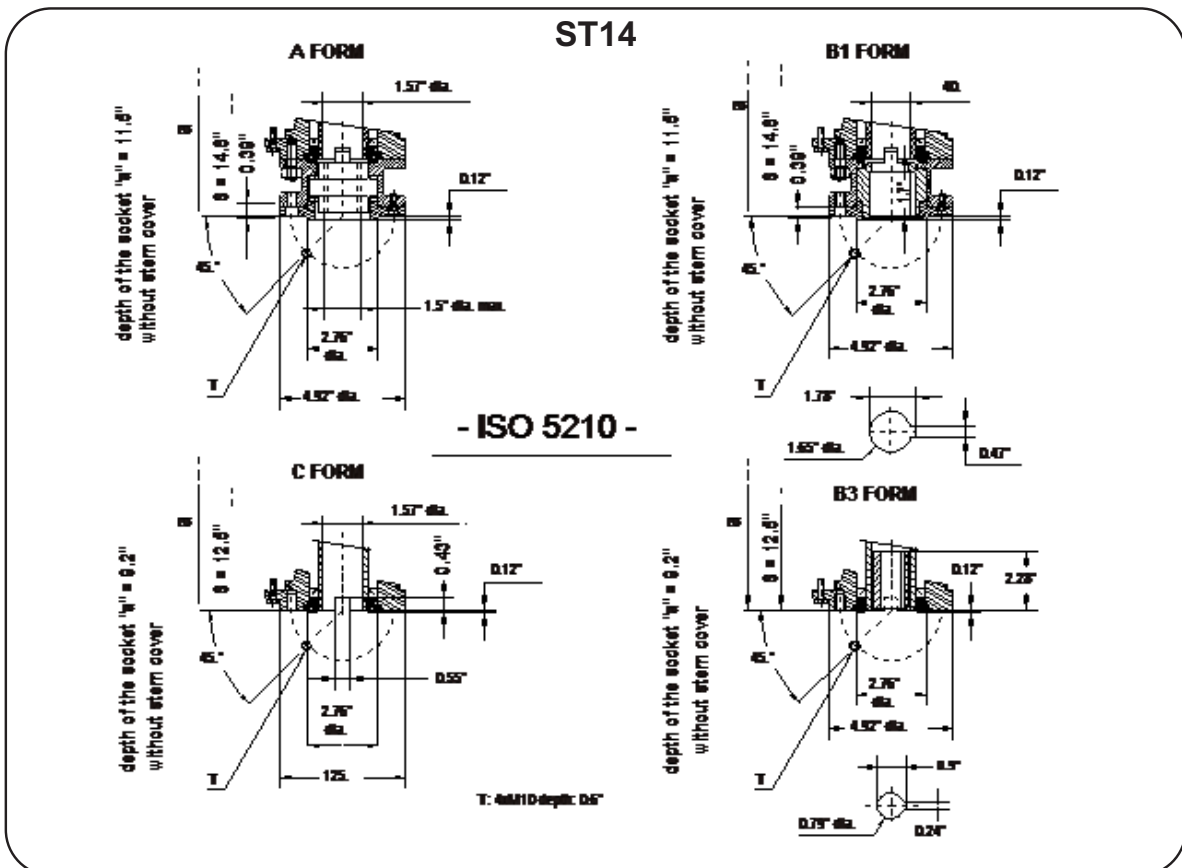
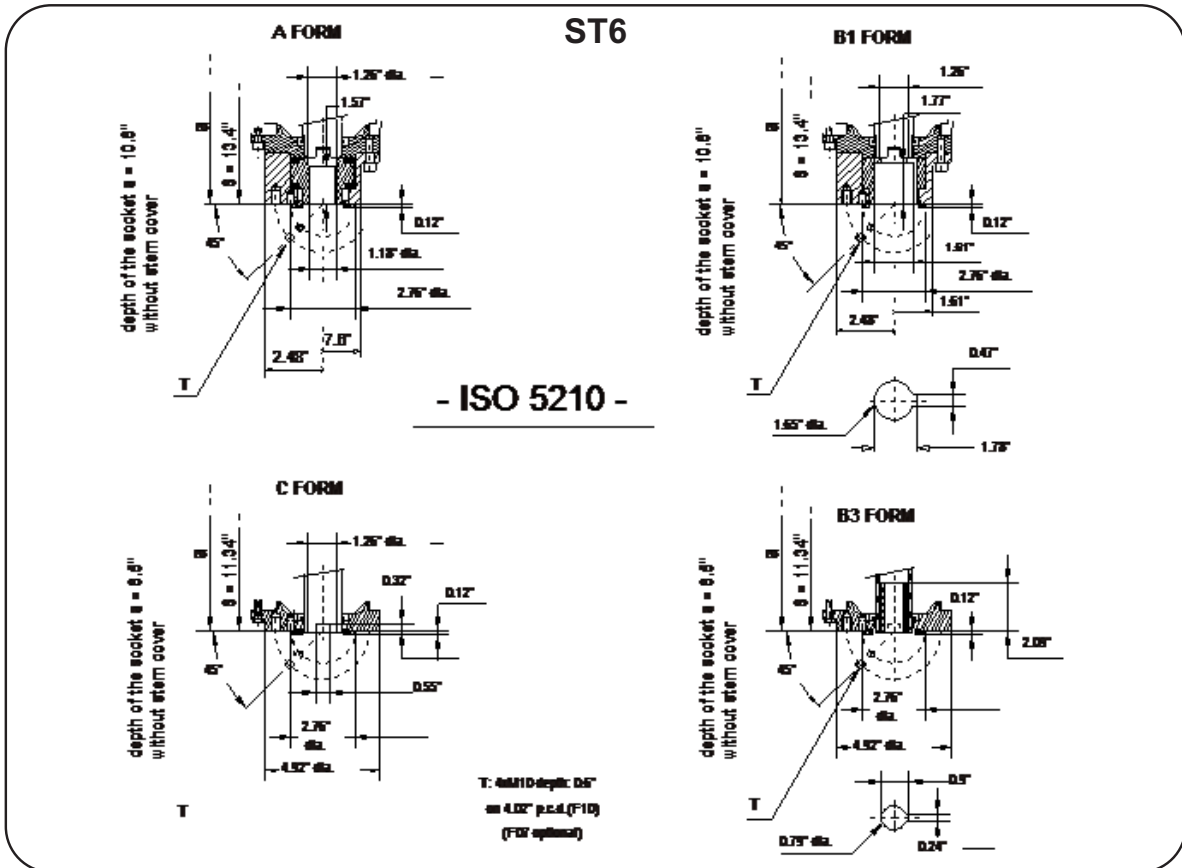
A\_ENC114/00 BCI

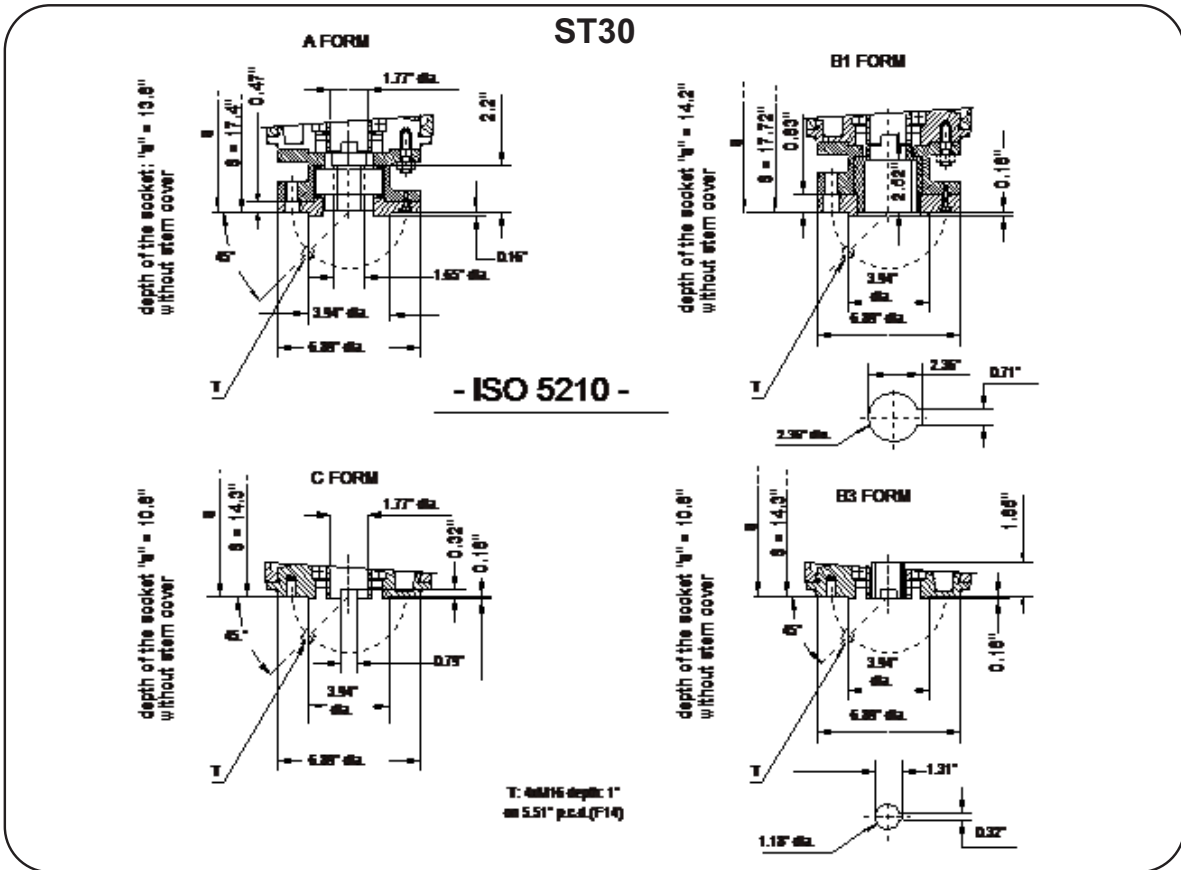


**L. BERNARD CONTROLS INC.**

15740 Park Row, Suite 100 Houston, Texas 77084

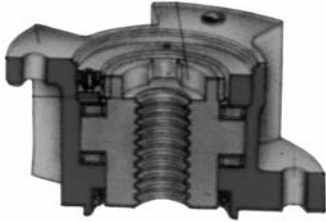
Tel: (1) 281-578-6666 - Fax: (1) 281-578-2797 - E-mail: [bsales@bernardcontrols.com](mailto:bsales@bernardcontrols.com)



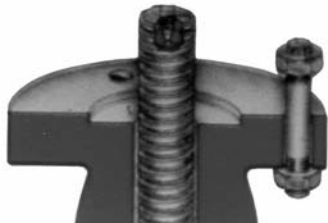


## A Form

INCORPORATED DRIVE BUSHING



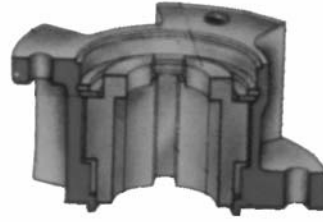
With thrust acceptance



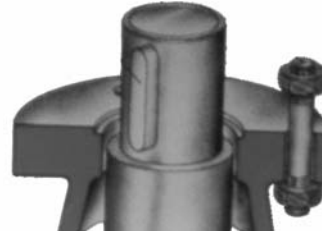
For valve with rising stem and without drive bushing.

## B1 Form

ENLARGED SLEEVE



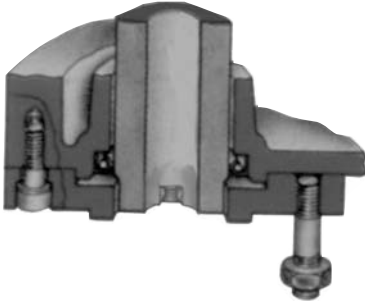
Without thrust acceptance



For valve with incorporated bushing.

## C Form

CLAW COUPLING END



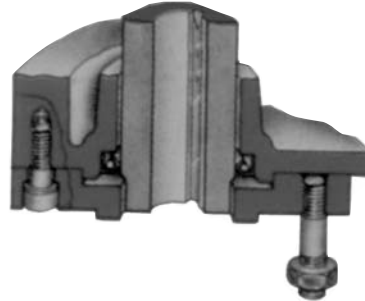
Without thrust acceptance



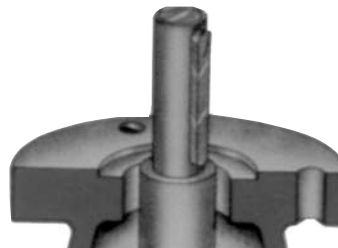
For valve with rising stem only.

## B3 Form

SMALL SLEEVE

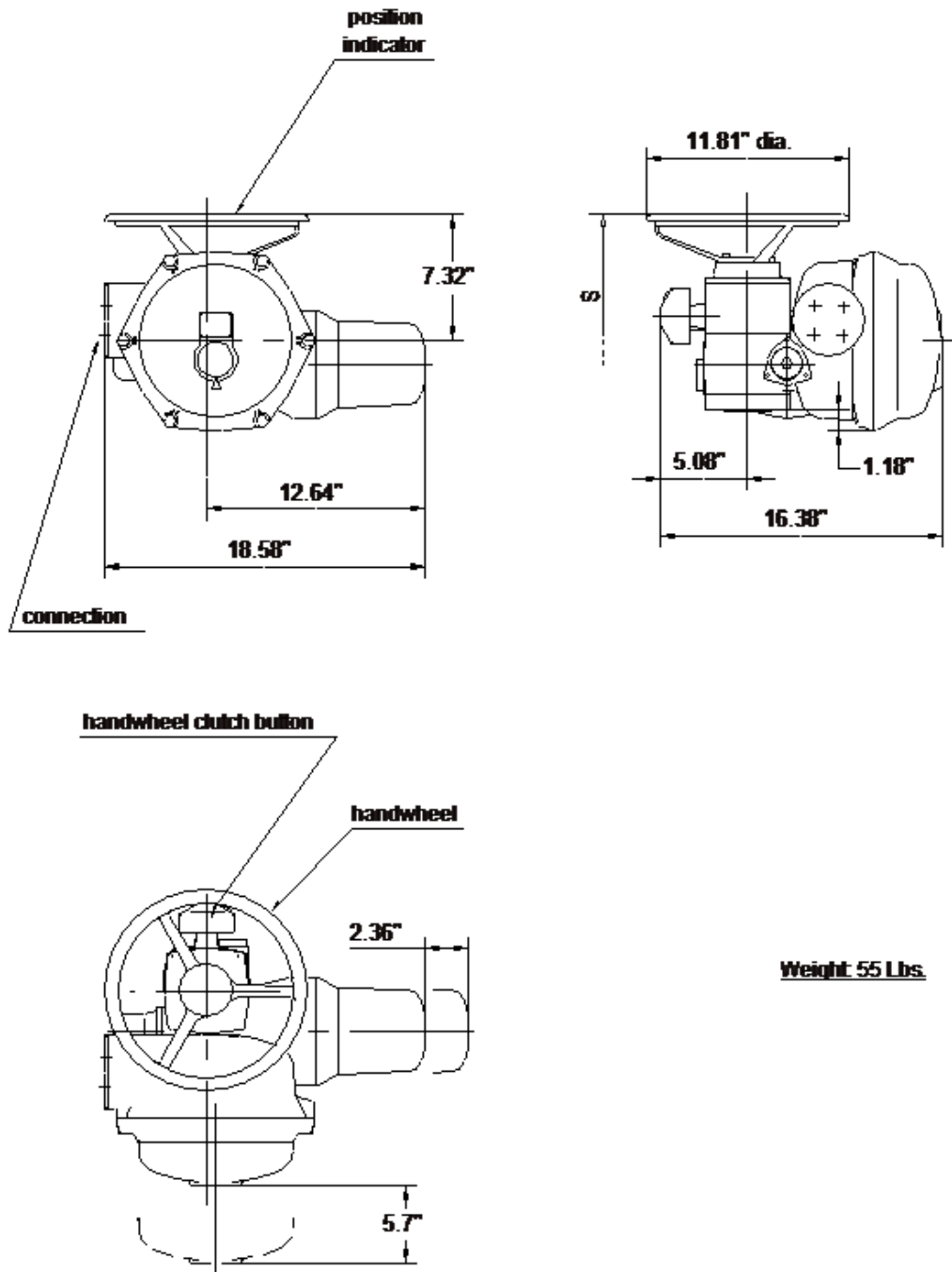


Without thrust acceptance

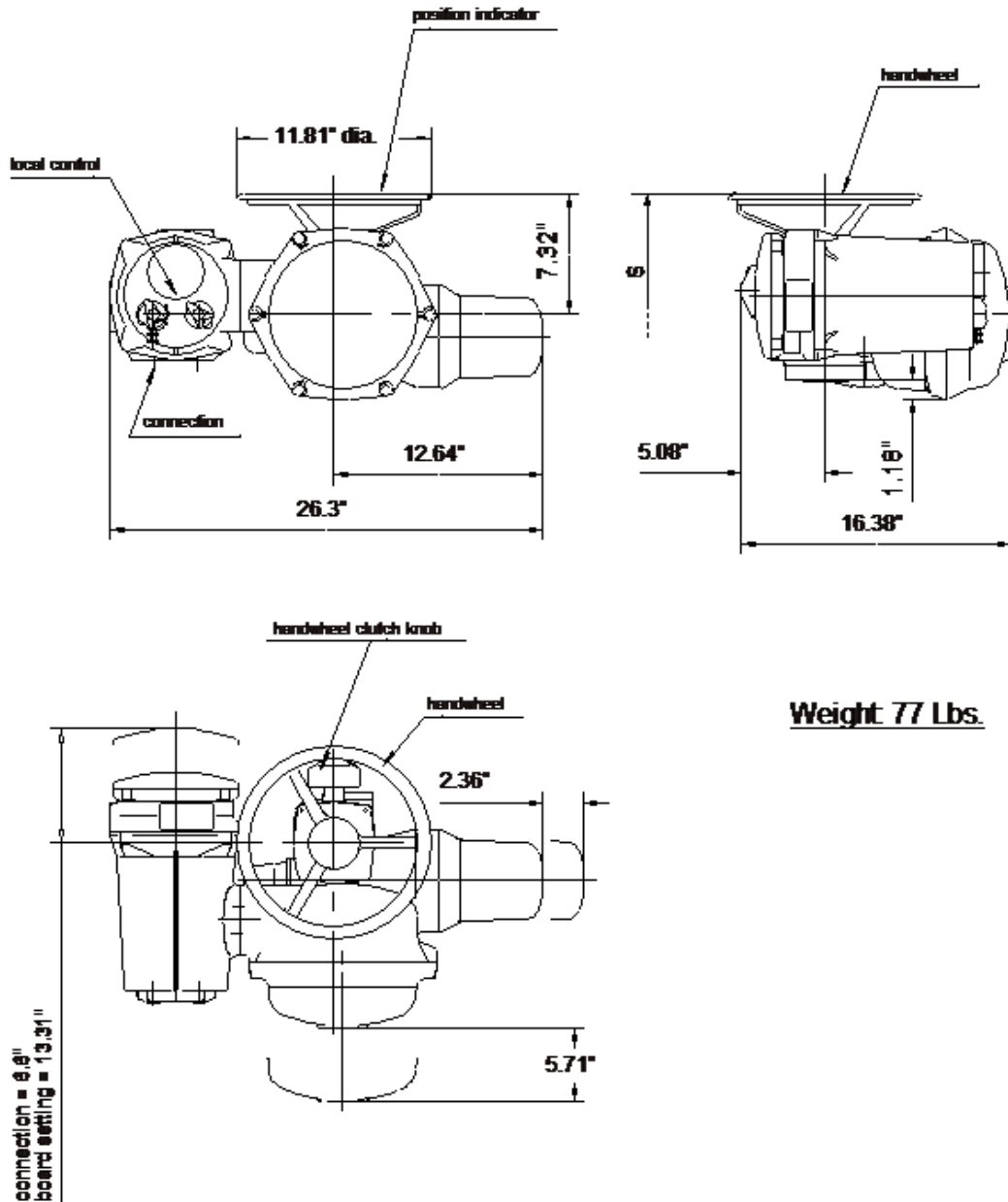


For valve with non-rising stem.

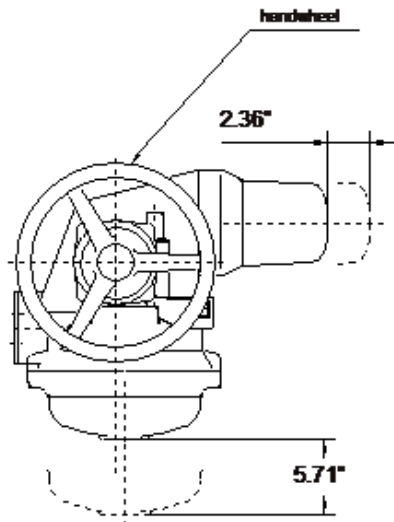
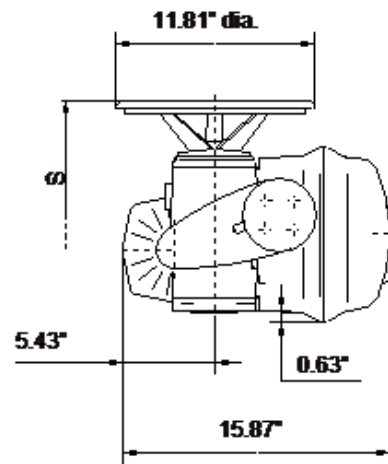
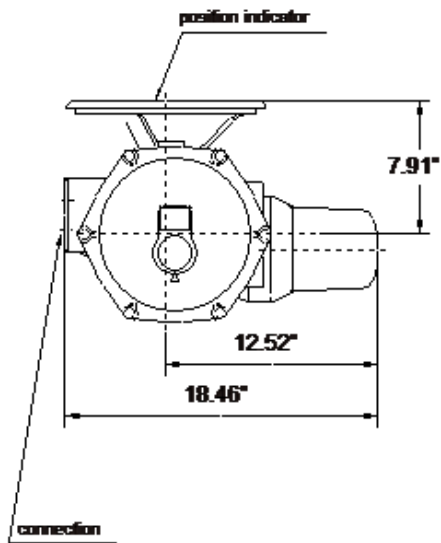
## Standard ST6



## ST6 + FPX box

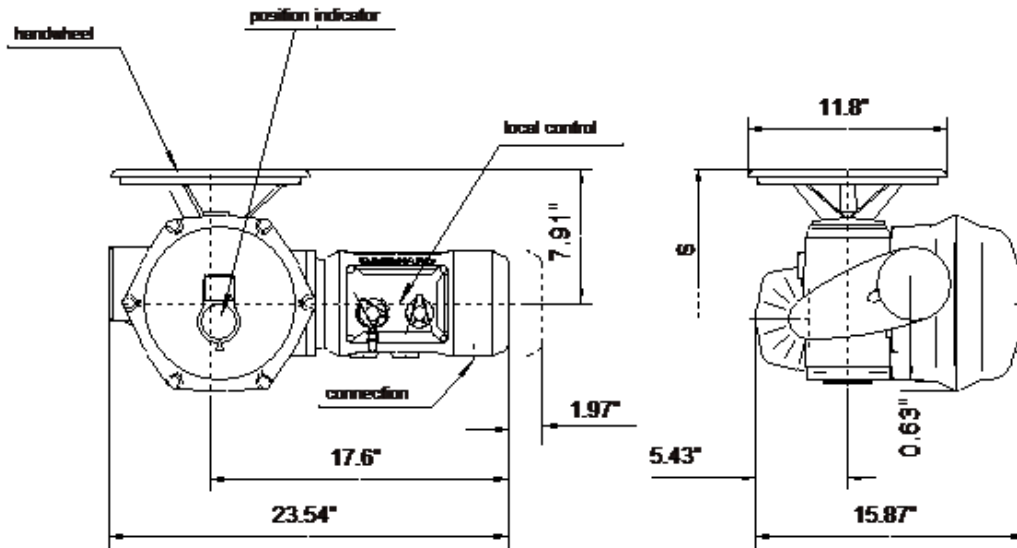


## Standard ST14



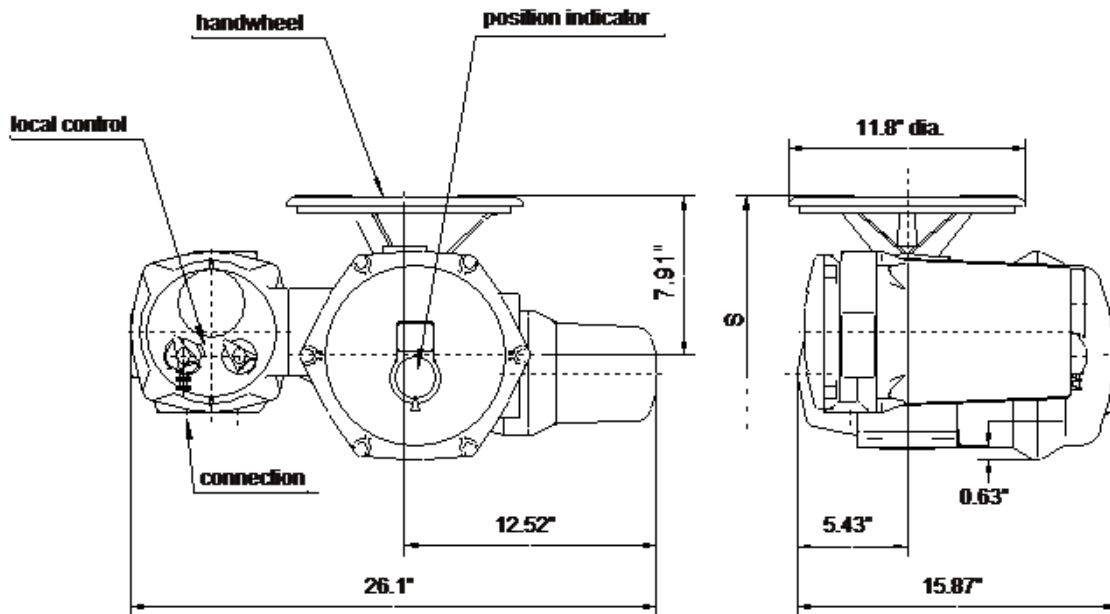
**Weight 68 Lbs.**

## ST14 + FP box



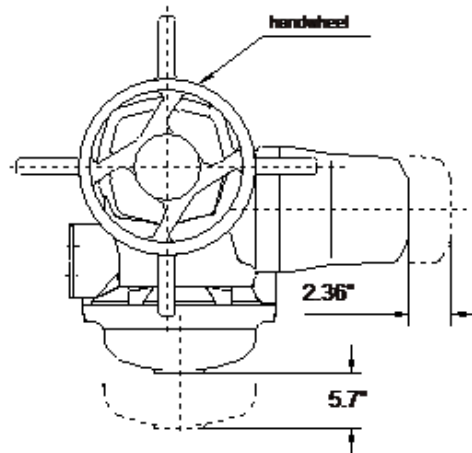
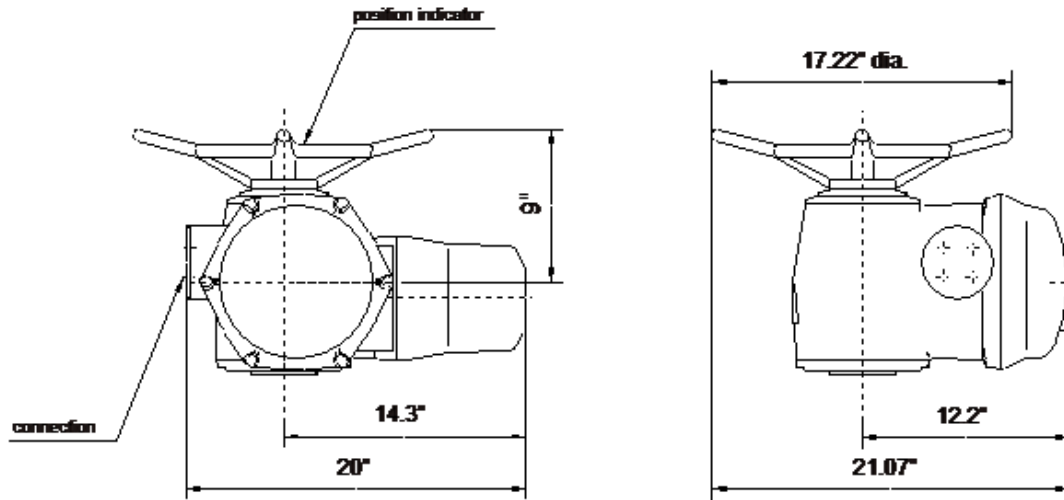
**Weight: 82 Lbs.**

## ST14 + FPX box



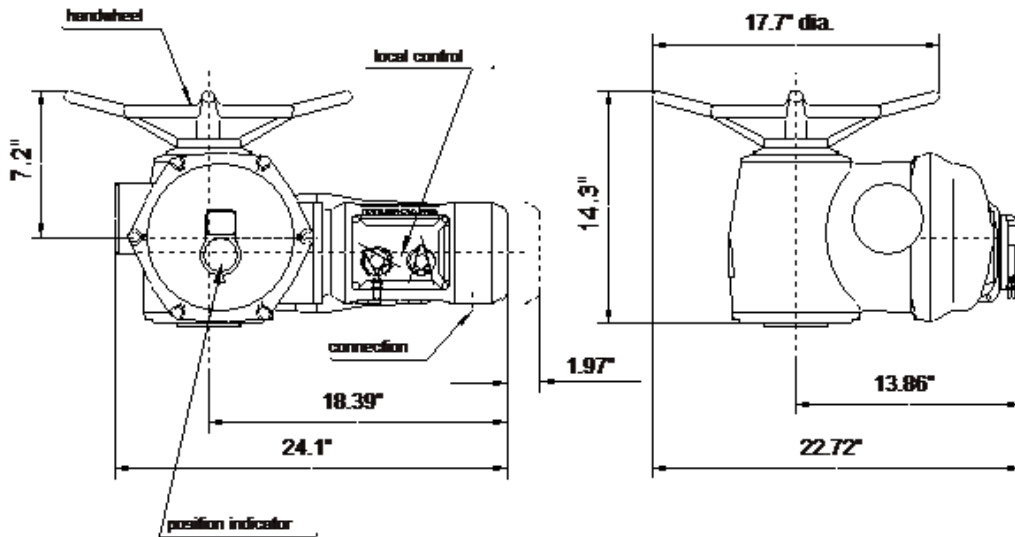
**Weight: 90 Lbs.**

## Standard ST30



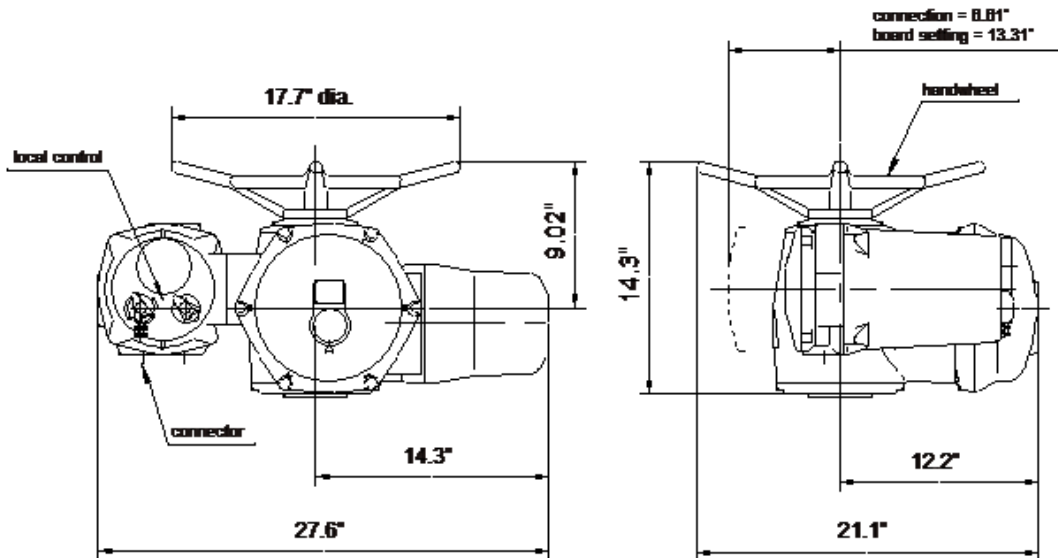
**Weight: 108 Lbs.**

## ST30 + FP box



**Weight: 121 Lbs.**

## ST30 + FPX box



**Weight: 130 Lbs.**